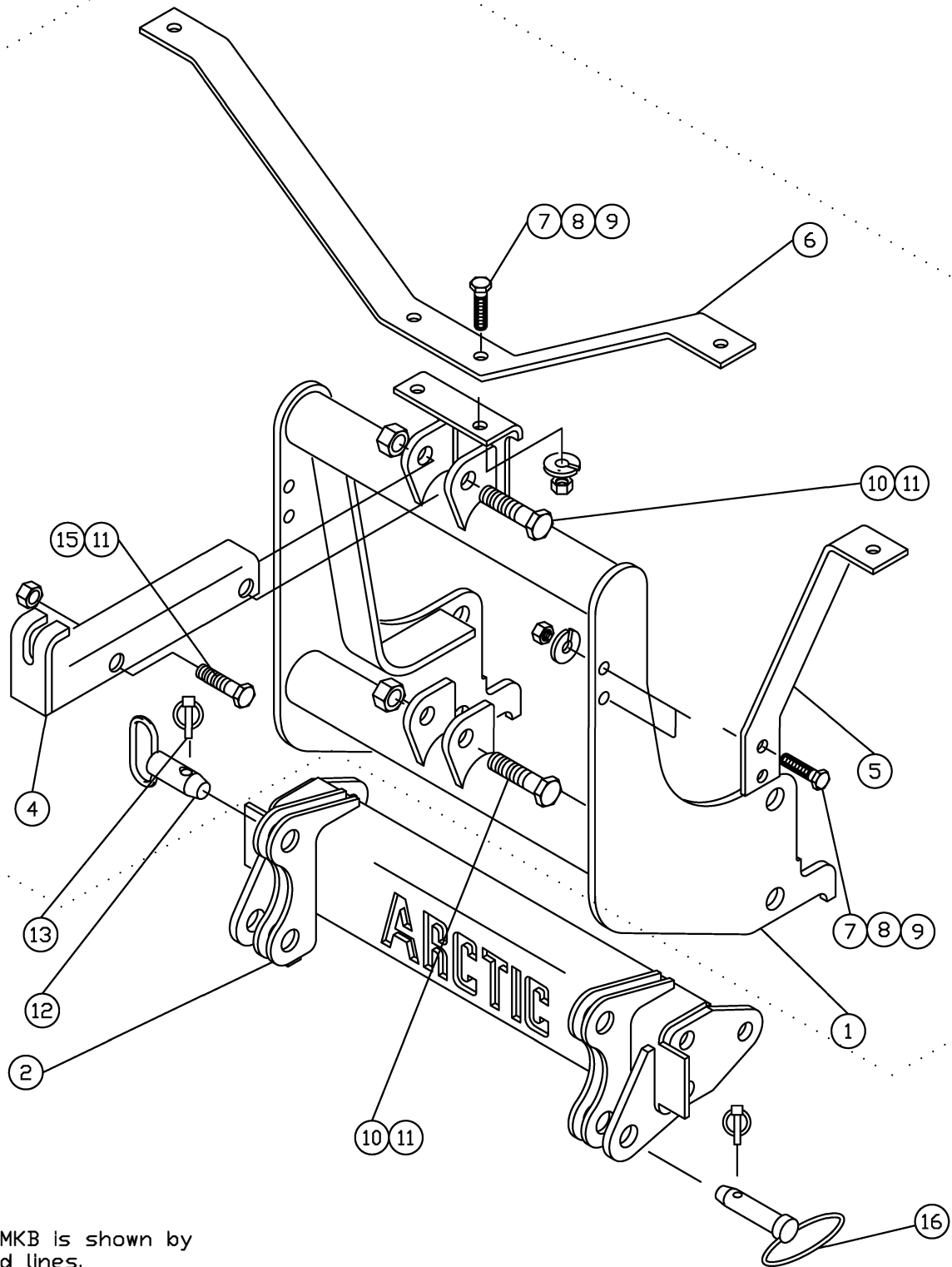


---

QLI-MKB .....	2
QLII-MKBX-GA .....	5
QLII-HI-DLC-GA .....	8
QLII-HI-GA .....	11
QLII-HI-TILT .....	14
QLII-MKB-GA .....	18
QLII-MKBX-M3493 .....	21
QLIII-HI-DLC-GA .....	24
QLIII-HI-GA .....	28
QLIII-HI-TILT-GA .....	31
QLIII-MKB-GA .....	35
QLIII-MKB-M3493 .....	38
QLIV-MKB-M3493 .....	42
QLIV-HI-DLC-GA .....	46
QLIV-HI-GA .....	50
QL-HOP .....	53
QL-SD2 .....	59

# QLI-MKB

## Lift Frame Mounting Kit



Note:  
1. QL-MKB is shown by  
dotted lines.

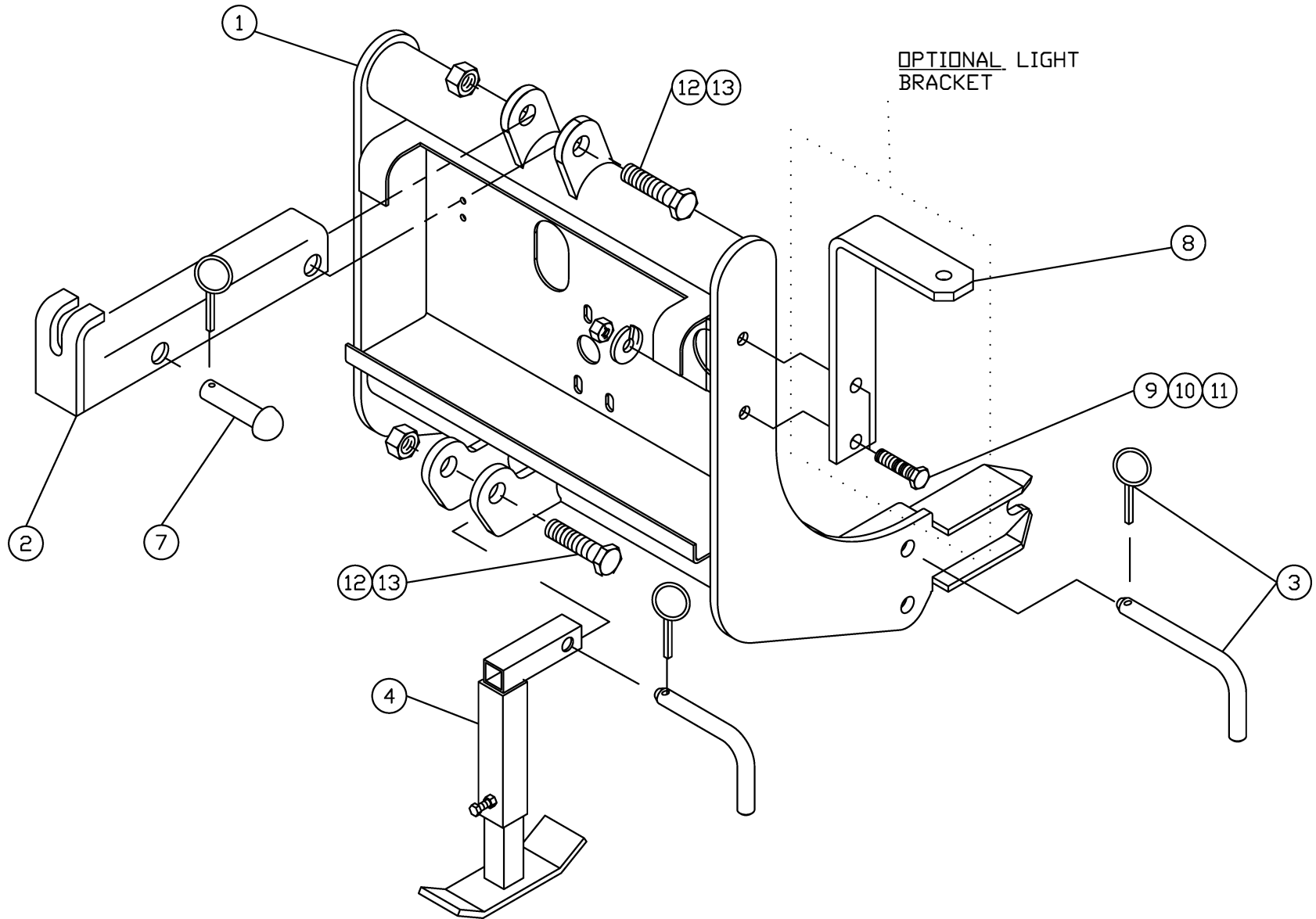
QL-MKB Mounting Kit Quik-Link I				
Item	Part #	Description	QL-MKB	MKPB
1	52162-C	Q-Link I Lift Frame	1	
2	52166-C	Q-Link I Spreader Bar	1	
3	52310-D	Ford Q-Link I Spreader Bar	1	
4	50069-C	Lift Channel	1	
5	52208-B	Light Brace	2	
6	52209-B	Light Antler	1	
7	HH-00972-090	½" x 1½" Cap screw		6
8	HH-00457-001	½" Lock washer		6
9	HH-00460-002	½" Hex nut		6
10	HH-00972-153	¾" x 3½" UNF Cap screw		2
11	HH-00973-007	¾" UNF Thin Collar Locknut		3
12	WA-34704	Mounting Pin	2	
13	50040-A	Quick release pin	2	
14*	50999-B	Guides	2	
15	HH-00972-149	¾-16 x 2 1/2" UNF Cap screw	1	
16	50853-M	Pin Assembly	1	

Arctic Equipment Manufacturing Corporation reserves the right under its product improvement policy to change construction or design details and furnish equipment when so altered without reference to illustrations or specifications used.

# QLII-MKBX-GA

## Lift Frame Mounting Kit

(used prior 2014, M200 power unit only)



Item	Part #	Description	QLII-MKBX-GA
1	52638-D-GA	Lift Frame Galvanized	1
2	50069-C-GA	Lift Channel Galvanized	1
3	1302045	Pin assembly	2
4	52671-M-GA	Jack Assembly (with lynch pin)	1
5*	50999-B	Blade Guides	2
7**	52757-M	Rivet Ass'y (rivet & lynch pin)	1
8**	52697-B-GA	Light Bracket Galvanized	2
9**	HH-00972-051	3/8-24x1.1/2 HHCS	4
10**	HH-00457-004	3/8 Lock washer	4
11**	HH-00460-003	3/8-24 Hex Nut	4

Parts located in undercarriage mounting kit			
12	HH-00972-153	3/4-16x 3 1/2 HHCS	2
13	HH-00973-007	3/4 Nut with nylon insert	2

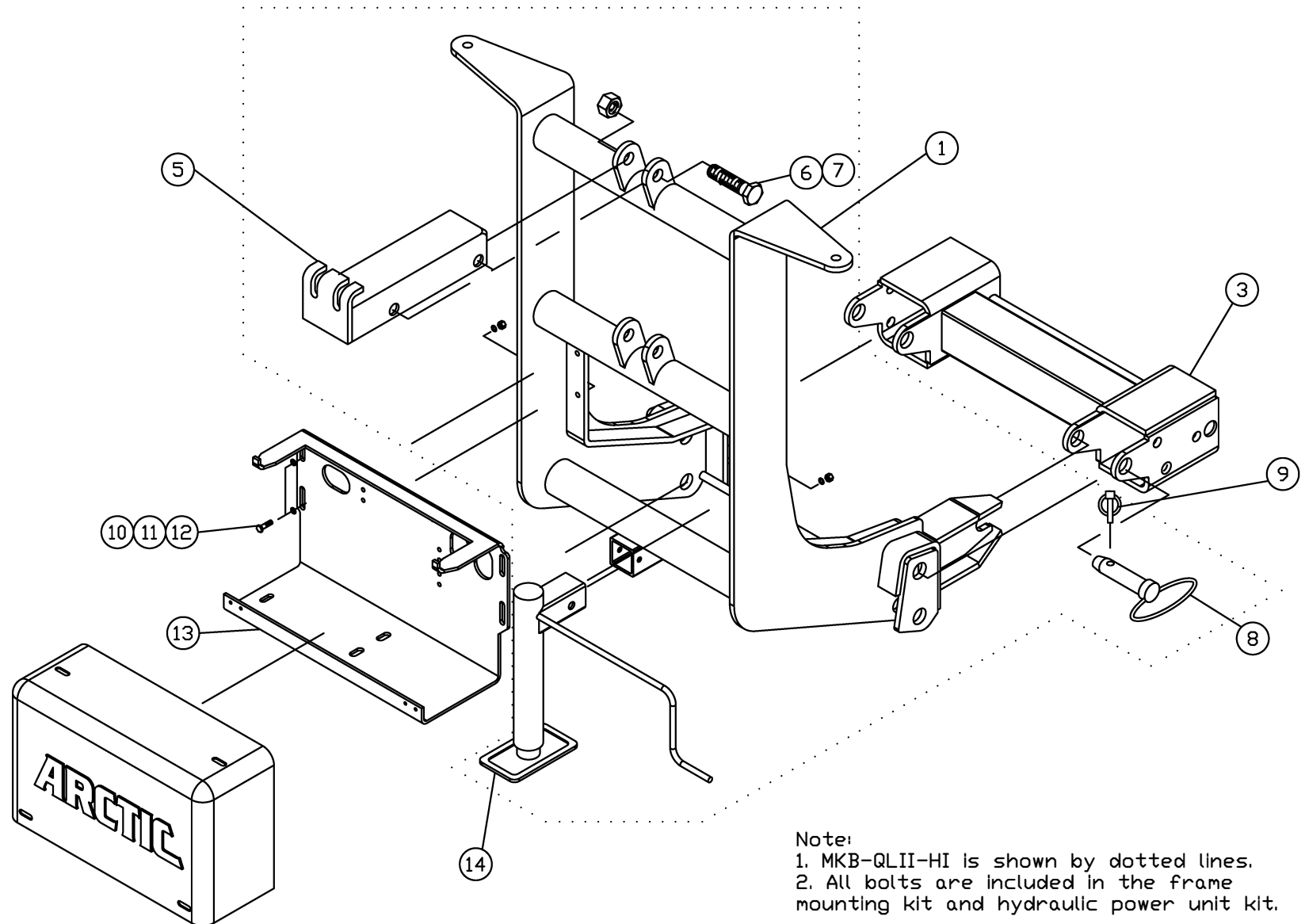
**Note:** \* These items are not shown on the drawing.  
 \*\* These items are part of Optional Light Bracket 52697-M-GA.

Arctic Equipment Manufacturing Corporation reserves the right under its product improvement policy to change construction or design details and furnish equipment when so altered without reference to illustrations or specifications used.

# QLII-HI-DLC-GA

## Lift Frame Mounting Kit





Note:  
1. MKB-QLII-HI is shown by dotted lines.  
2. All bolts are included in the frame mounting kit and hydraulic power unit kit.

QLII-HI-DLC-GA Hi Boy with double chain			
Item	Part #	Description	Quantity
1	53171-D- GA	QUIK*LINK ® II Hi-Boy Lift Frame	1
2	53214-M-GA	Double chain kit	1

53214-M-GA Double chain kit			
Item	Part #	Description	Quantity
3*	52363-C-G	QUIK*LINK ® II Spreader Bar	1
4*	52364-C-G	Ford QUIK*LINK ® II Spreader Bar	1
5	52612-B-GA	Lift Channel (2" cylinder)	1
6	HH-00972-155	3/4" x 4" UNF Cap screw	2
7*	HH-00973-007	3/4" UNF Thin Collar Locknut	2
8	52348-A	Spreader Pin	2
9	50040-A	Lynch Pin	2
10*	HH-00972-029	5/16 x 1 1/4 UNF Hex Cap screw	4
11*	HH-00460-005	5/16" Hex Nut	4
12*	HH-00457-007	5/16" Lock Washer	8
13*	52870-C-GA	Mounting Plate	1
14	52373-M	Jack Assembly	1
15	50999-B	Blade Guides	2

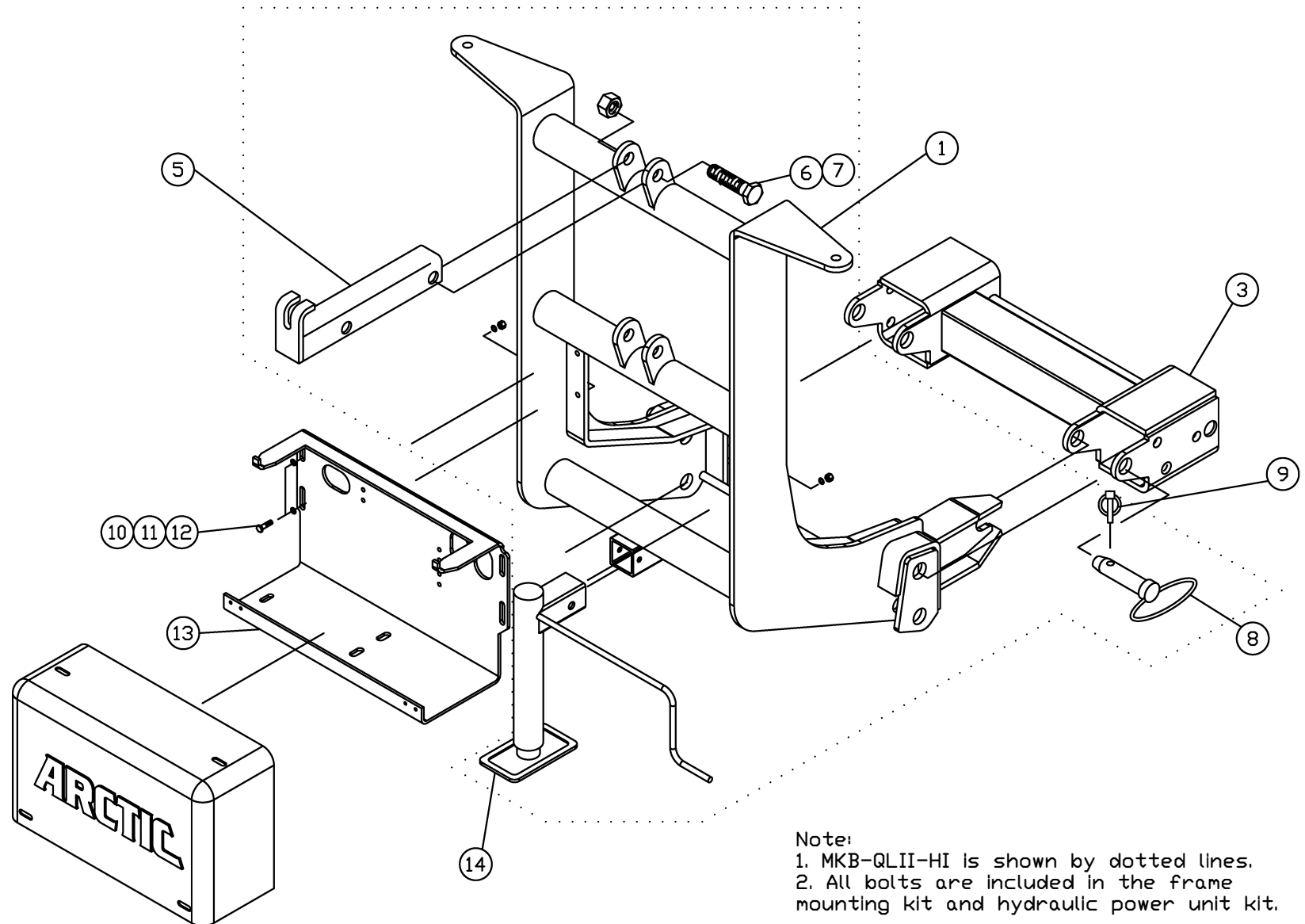
\* Items are not part of the kit.

QUIK\*LINK is a trademark of Arctic Equipment Manufacturing Corporation

Arctic Equipment Manufacturing Corporation reserves the right under its product improvement policy to change construction or design details and furnish equipment when so altered without reference to illustrations or specifications used.

# QLII-HI-GA

## Lift Frame Mounting Kit



Note:  
1. MKB-QLII-HI is shown by dotted lines.  
2. All bolts are included in the frame mounting kit and hydraulic power unit kit.

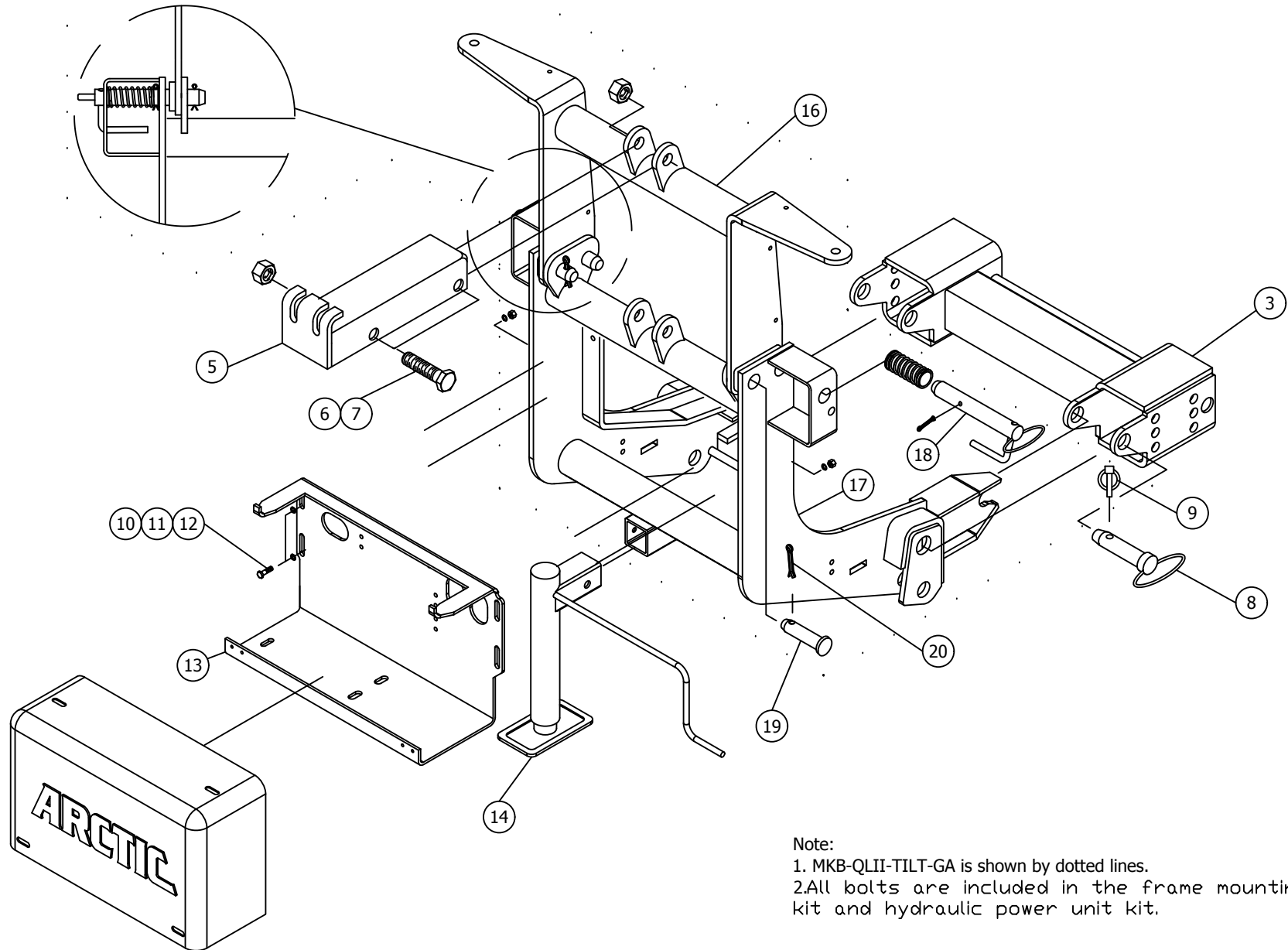
QLII-HI-GA Mounting Kit QLII Hi Boy Galvanized			
Item	Part #	Description	Quantity
1	53171-D-GA	Hi-Boy Lift Frame Galvanized	1
2	53213-M-GA	Single lift chain kit Galvanized	1

53213-M-GA Single lift chain kit Galvanized					
Item	Part #	Description	53213-M-GA	MKPB	52403-02-M-GA Pump Kit
3	52363-C-G	QUIK*LINK ® II Spreader Bar		1	
*4	52364-C-G	Ford QUIK*LINK ® II Spreader Bar			
5	50069-C-GA	Lift Channel Galvanized	1		
6	HH-00972-153	3/4" x 3½" UNF Cap screw		2	
7	HH-00973-007	3/4" UNF Thin Collar Locknut		3	
8	52348-A	Spreader Pin	2		
9	50040-A	Lynch Pin	2		
10	HH-00972-029	5/16" x 1 1/4" UNF Hex Cap screw			4
11	HH-00460-005	5/16" Hex Nut			4
12	HH-00457-007	5/16" Lock Washer			8
13	52870-C-GA	Mounting Plate			1
14	52373-M	Jack Assembly	1		
*15	50999-B	Blade Guides	2		
16	HH-00972-149	3/4 x 16 x 2 1/2" cap screw		1	

QUIK\*LINK is a trademark of Arctic Equipment Manufacturing Corporation  
Note:\* These items are not shown on the drawing.

Arctic Equipment Manufacturing Corporation reserves the right under its product improvement policy to change construction or design details and furnish equipment when so altered without reference to illustrations or specifications used.

**QLII-HI-TILT**  
Lift Frame Mounting Kit



Note:

1. MKB-QLII-TILT-GA is shown by dotted lines.
2. All bolts are included in the frame mounting kit and hydraulic power unit kit.

<b>QLII-HI-TILT Tilt Hi Boy with double chain Galvanized</b>			
<b>Item</b>	<b>Part #</b>	<b>Description</b>	<b>Quantity</b>
1	53341-M-GA	Tilt Hi-Boy Lift Frame Assembly Galvanized	1
2	53214-M-GA	Double lift chain kit Galvanized	1

<b>53214-M Double chain kit Galvanized</b>					
<b>Item</b>	<b>Part #</b>	<b>Description</b>	<b>53214-M</b>	<b>MKPB</b>	<b>52403-02-M-GA Pump Kit</b>
3	52363-C-G	QUIK* LINK ® II Spreader Bar Galvanized		1	
*4	52364-C-G	Ford QUIK*LINK ® II Spreader Bar Galvanized			
5	52612-B-GA	Lift Channel (2" cylinder) Galvanized	1		
6	HH-00972-155	3/4" x 4" UNF Cap screw	2		
**7	HH-00973-007	3/4" UNF Thin Collar Locknut	2		
8	52348-A	Spreader Pin	2		
9	50040-A	Lynch Pin	2		
10	HH-00972-029	5/16 x 1 1/4 UNF HHCS			4
11	HH-00460-005	5/16" Hex Nut			4
12	HH-00457-007	5/16" Lock Washer			8
13	52870-C-GA	Mounting Plate			1
14	52373-M	Jack Assembly	1		
*15	50999-B	Guides	2		



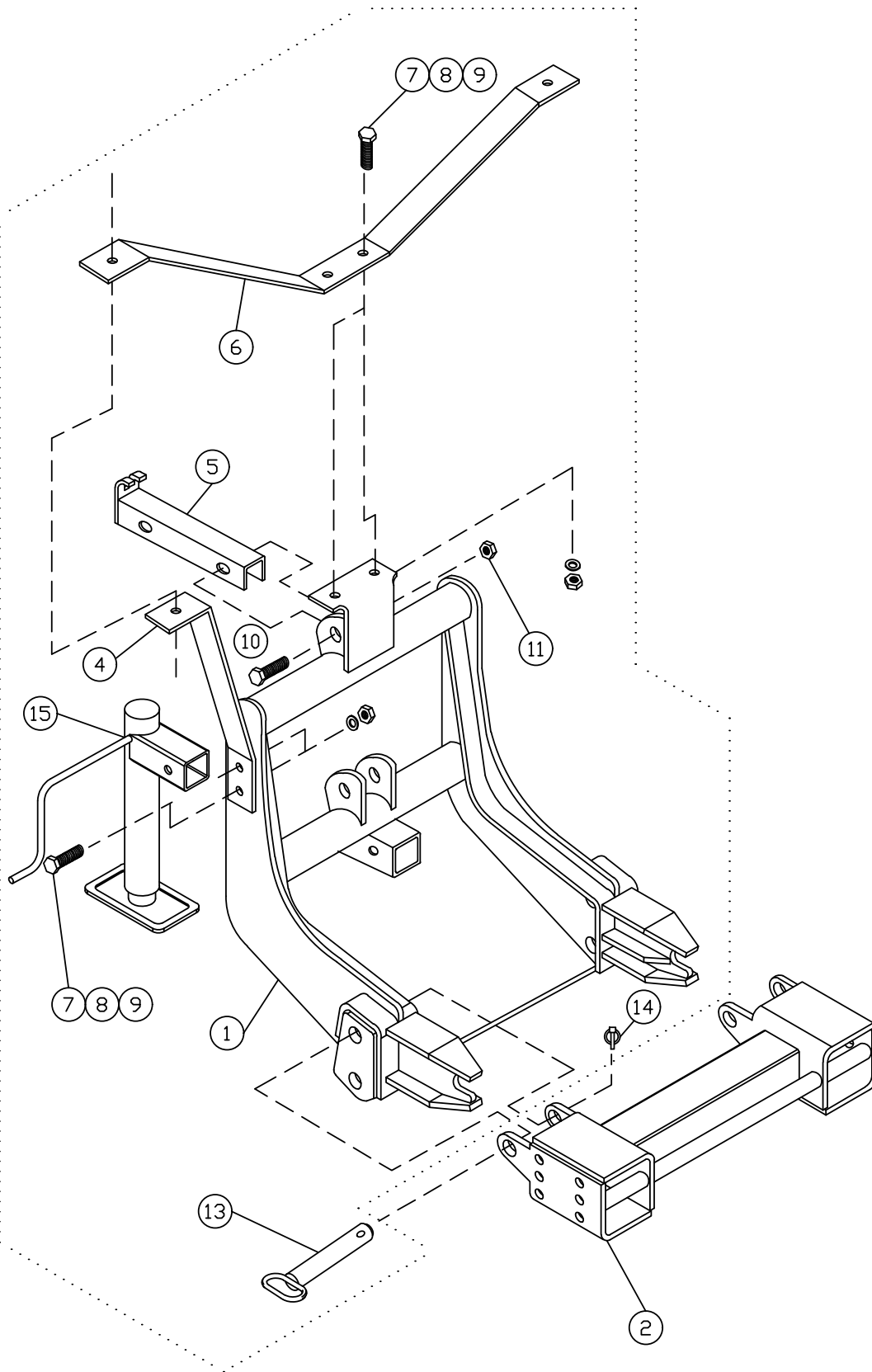
<b>53341-M Tilt Hi-Boy Lift Frame Assembly Galvanized</b>			
<b>Item</b>	<b>Part #</b>	<b>Description</b>	<b>Quantity</b>
16	53339-D-GA	Lift Frame Top Assembly Galvanized	1
17	53340-D-GA	Lift Frame Bottom Assembly Galvanized	1
18	53338-A	Pin Weldment	2
19	53325-A	Spreader Pin	2
20	HH-00020-164	Cotter pin	2

**Note:** \* items (4, 15) are not shown on the drawing.  
\*\* item (7) is part of the bolt bag.

Arctic Equipment Manufacturing Corporation reserves the right under its product improvement policy to change construction or design details and furnish equipment when so altered without reference to illustrations or specifications used.

# QLII-MKB-GA

## Lift Frame Mounting Kit



Note:  
1. QLII-MKB is shown by dotted lines.  
2. All bolts are included in MKPB.

QLII-MKB-GA Mounting Kit Quik*Link ® II Galvanized				
Item	Part #	Description	QLII-MKB-GA	MKPB-QLII
1	53170-D-GA	QUIK*LINK ® II Lift Frame	1	
2	52363-C-GA	QUIK*LINK ® II Spreader Bar		1
3	52364-C-GA	Ford QUIK*LINK ® II Spreader Bar		1
4	52208-B-GA	Light Brace Galvanized	2	
5	50069-C-GA	Lift Channel Galvanized	1	
6	52209-B-GA	Light Antler Galvanized	1	
7	HH-00972-090	½" x 1½" Cap screw		6
8	HH-00457-001	½" Lock washer		6
9	HH-00460-002	½" Hex nut		6
10	HH-00972-153	¾" x 3½" UNF Cap screw		1
11	HH-00973-007	¾" UNF Thin Collar Locknut		1
13	52348-A	Mounting Pin	2	
14	50040-A	Lynch Pin	2	
15	52373-M	Jack Assembly	1	
16	50999-B	Guides	2	

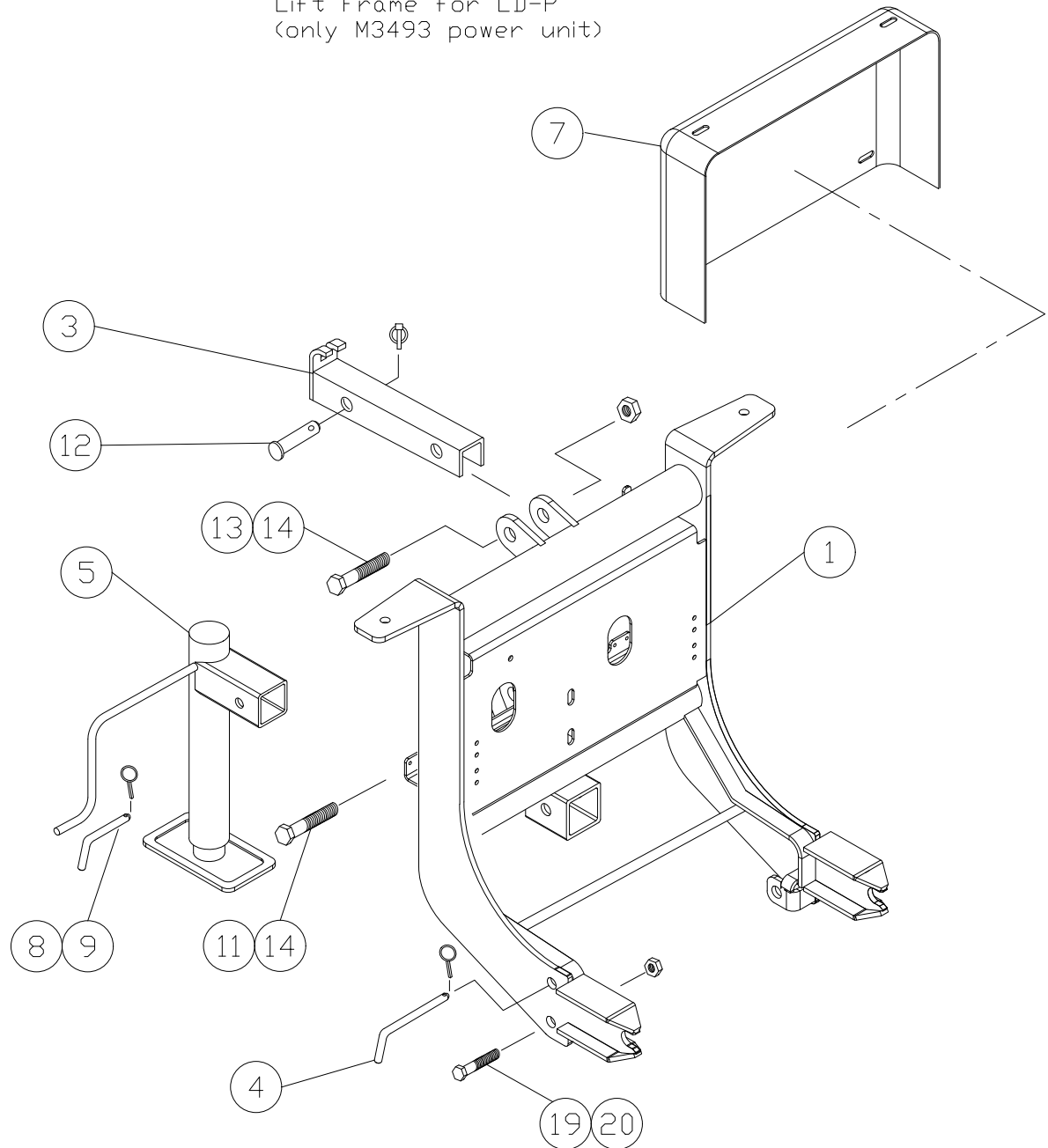
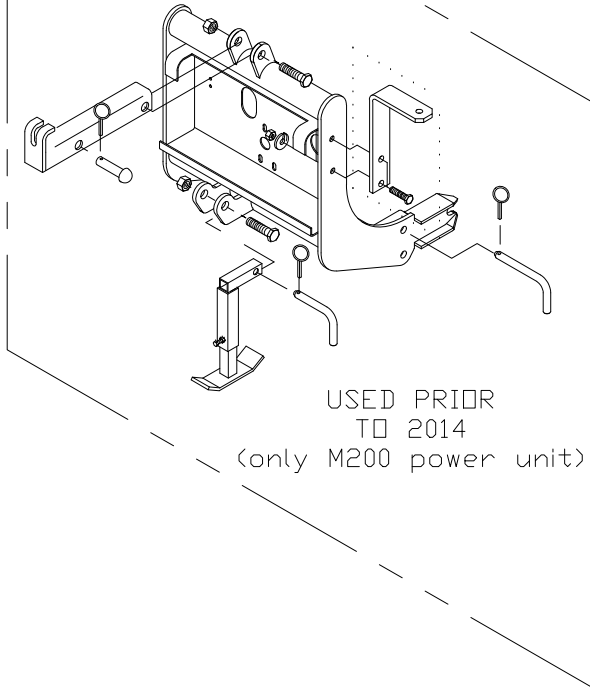
Arctic Equipment Manufacturing Corporation reserves the right under its product improvement policy to change construction or design details and furnish equipment when so altered without reference to illustrations or specifications used.

# QLII-MKBX-M3493

Lift Frame Mounting Kit

Lift Frame for LD-P  
(only M3493 power unit)

QLII-MKBX-GA



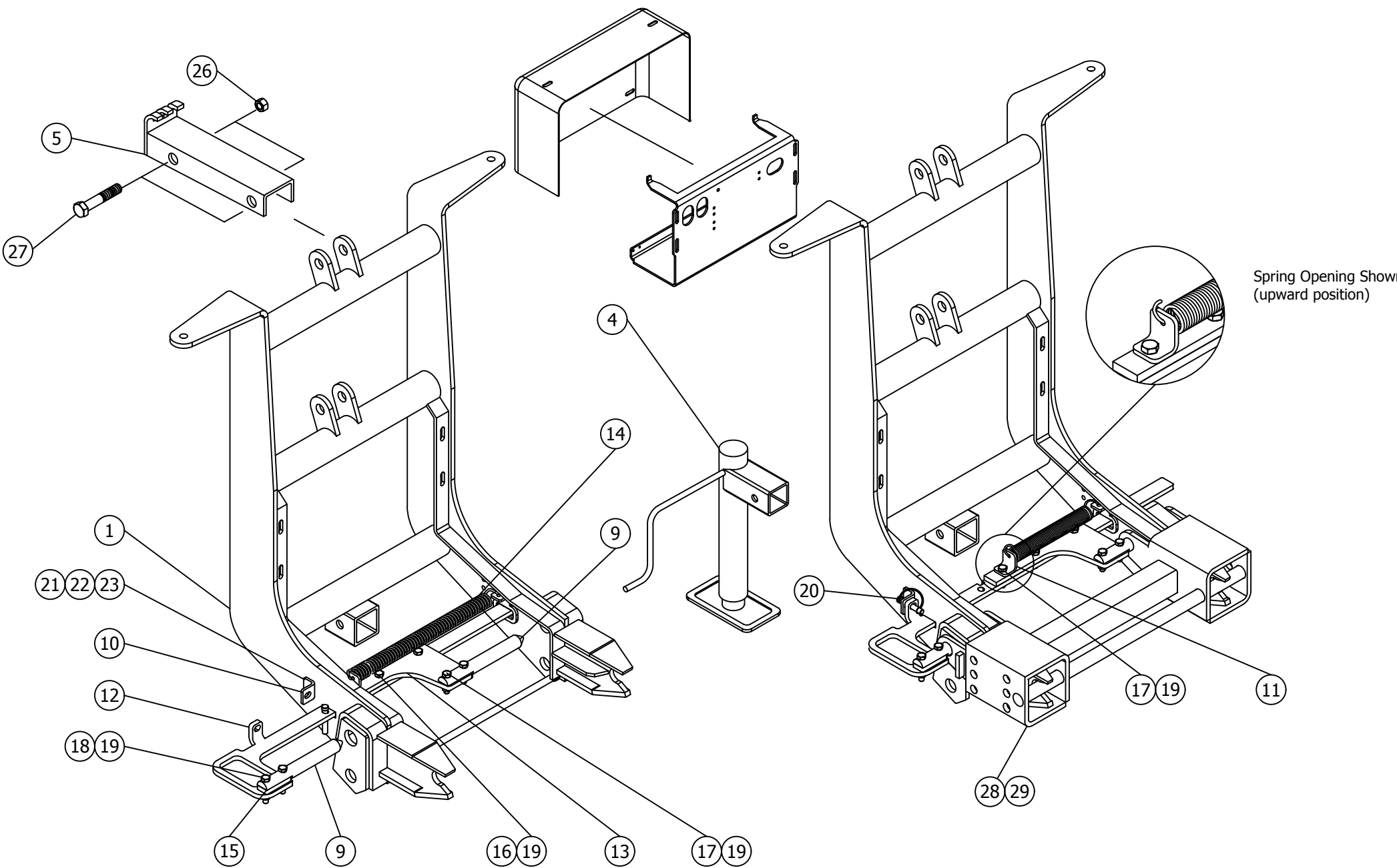
QLII-MKBX-M3493			
Item	Part #	Description	Qty
1	53613-D	LD-P Lift frame	1
2	53704-01-M	LD Lift Frame Parts Box	1
Parts found under 53704-01-M			
3	50069-C-GA	Lift Channel	1
4	1302045	Pin assembly	2
5	52373-01-M	Jack Assembly	1
6	50999-B	Blade Guides	2
7	53420-C	Power Unit Cover	1
8	51830-N	5/8 x 2 1/2" Long XP Jack Pin	1
9	51830-01-N	Safety Pin	1
10	QL-HOP-BB	Bolt Bag	1
Parts found under QL-HOP-BB			
11	HH-00972-155	3/4"-16 x 4" Hex Head Cap Screw	1
12	52757-M	Rivet Assembly (rivet 50232-A & lynch pin 52756-N)	1
13	HH-00972-153	3/4"-16 x 3 1/2 Hex Head Cap Screw	1
14	HH-00973-007	3/4" Lock Nut	2
15	HH-00293-006	1/4-20 x 1" HHCS	4
16	HH-00341-002	1/4" Flat washer	4
17	HH-00457-006	1/4" Lock washer	4
18	HH-00294-001	1/4" UNC Hex nut	4
Parts found under Hardware kit (53244-M), not a part of lift frame			
19	HH-00972-134	5/8" x 3" HHCS	2
20	HH-00540-002	5/8" Nylon Insert Locknut	2

Arctic Equipment Manufacturing Corporation reserves the right under its product improvement policy to change construction or design details and furnish equipment when so altered without reference to illustrations or specifications used.

# QLIII-HI-DLC-GA

## Lift Frame Mounting Kit





QLIII-HI-GA Lift Frame Mounting			
Item	Part #	Description	Quantity
1	53171-HANDLE	QLIII Lift frame Hi boy c/w Handle	1
2	53216-01	Double Lift Channel kit	1
53216-01 Double Lift Chain Kit			
Item	Part #	Description	Quantity
3	50999-B	Blade Marker	2
4	52373-01-M	QLII Jack	1
5	52612-M-GA	Lift Channel Double Chain	1
6	51830-N	5/8 x 2.1/2 Long Jack Pin	1
7	53373-M-BB	Lift frame bolt bag	1
Parts found on 53171-HANDLE			
8	53171-D	QLIII Lift frame Hi boy	1
9	53181-B	Pin	2
10	53174-M	Lock Bracket	1
11	53179-M	Spring Bracket	1
12	53177-M	Lock Handle	1
13	53178-M	Top Plate	1
14	53182-N	Lock Spring	1
15	53180-M	Lock Spacer	1
16	HH-00293-050	3/8-16x1.1/4 Hex Head Cap Screw	2
17	HH-00293-051	3/8-16x1.1/2 Hex Head Cap Screw	3
18	HH-00293-053	3/8-16x2 Hex Head Cap Screw	2
19	HH-00340-001	3/8-16 Nut (Nylon Insert)	7
20	53183-N	Hitch Pin	1
21	HH-00294-001	1/4-20 Hex Nut	2
22	HH-00457-006	1/4 Lock washer	2
23	HH-00293-006	1/4-20x1 Hex Head Cap Screw	2
24	HH-00972-153	3/4 x 3 1/2 HHCS	2
25	HH-00972-149	3/4 -16 x 2 1/2 HHCS	1
26	HH-00973-007	3/4 Thin Locknut	3
27	HH-00972-155	3/4 x 4" UNF Cap Screw	2
28*	53551-C	Spreader Bar(23 1/8" wide)	1
29*	53507-C	Spreader Bar(32 1/8" wide)( not shown in the drawing)	1

Items listed by \* are not in the kit (They can be found under the vehicle mounting kit).

## Installation

1. Install the pin (9) on the end of the handle (12) (install the spacer (15) between the pin (9) and the handle (12)) using 3/8" x 2" bolts and 3/8"nylon lock nuts (18) (19).

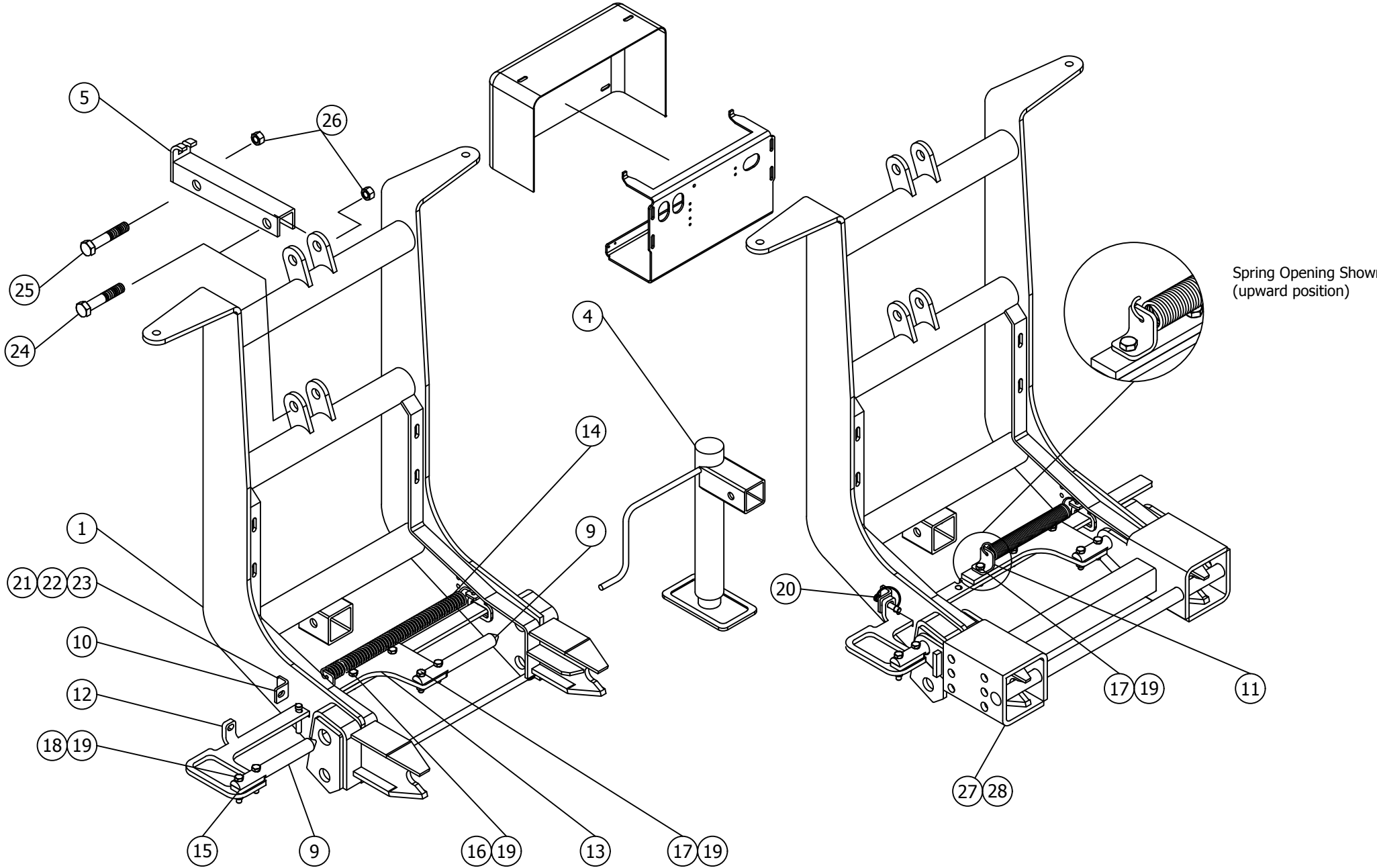
2. Insert partially assembled handle through the rectangular opening inside of the lift frame (8) and attach spring (14), top plate (13), spring bracket (11) and pin (9) as shown on the drawing.
3. Install the lock bracket (10) using 1/4" bolt (23), lock washer (22) and nut (21).
4. Do not tighten lock nuts (19) attached to the pins completely. Pins must float.



Arctic Equipment Manufacturing Corporation reserves the right under its product improvement policy to change construction or design details and furnish equipment when so altered without reference to illustrations or specifications used.

# QLIII-HI-GA

## Lift Frame Mounting Kit



QLIII-HI-GA Lift Frame Mounting			
Item	Part #	Description	Quantity
1	53171-HANDLE	QLIII Lift frame Hi boy c/w Handle	1
2	53215-01	Single Lift Channel kit	1
53215-01 Single Lift Chain Kit			
Item	Part #	Description	Quantity
3	50999-B	Blade Marker	2
4	52373-01-M	QLII Jack	1
5	50069-C-GA	Lift Channel Single Chain	1
6	51830-N	5/8 x 2.1/2 Long Jack Pin	1
7	53373-M-BB	Lift frame bolt bag	1
Parts found on 53171-HANDLE			
8	53171-D	QLIII Lift frame Hi boy	1
9	53181-B	Pin	2
10	53174-M	Lock Bracket	1
11	53179-M	Spring Bracket	1
12	53177-M	Lock Handle	1
13	53178-M	Top Plate	1
14	53182-N	Lock Spring	1
15	53180-M	Lock Spacer	1
16	HH-00293-050	3/8-16x1.1/4 Hex Head Cap Screw	2
17	HH-00293-051	3/8-16x1.1/2 Hex Head Cap Screw	3
18	HH-00293-053	3/8-16x2 Hex Head Cap Screw	2
19	HH-00340-001	3/8-16 Nut (Nylon Insert)	7
20	53183-N	Hitch Pin	1
21	HH-00294-001	1/4-20 Hex Nut	2
22	HH-00457-006	1/4 Lock washer	2
23	HH-00293-006	1/4-20x1 Hex Head Cap Screw	2
24	HH-00972-153	3/4 x 3 1/2 HHCS	2
25	HH-00972-149	3/4 -16 x 2 1/2 HHCS	1
26	HH-00973-007	3/4 Thin Locknut	3
27*	53551-C	Spreader Bar(23 1/8" wide)	1
28*	53507-C	Spreader Bar(32 1/8" wide)( not shown in the drawing)	1

Items listed by \* are not in the kit (They can be found under the vehicle mounting kit).

### Installation

1. Install the pin (9) on the end of the handle (12) (install the spacer (15) between the pin (9) and the handle (12)) using 3/8" x 2" bolts and 3/8"nylon lock nuts (18) (19).

2. Insert partially assembled handle through the rectangular opening inside of the lift frame (8) and attach spring (14), top plate (13), spring bracket (11) and pin (9) as shown on the drawing.
3. Install the lock bracket (10) using 1/4" bolt (23), lock washer (22) and nut (21).
4. Do not tighten lock nuts (19) attached to the pins completely. Pins must float.

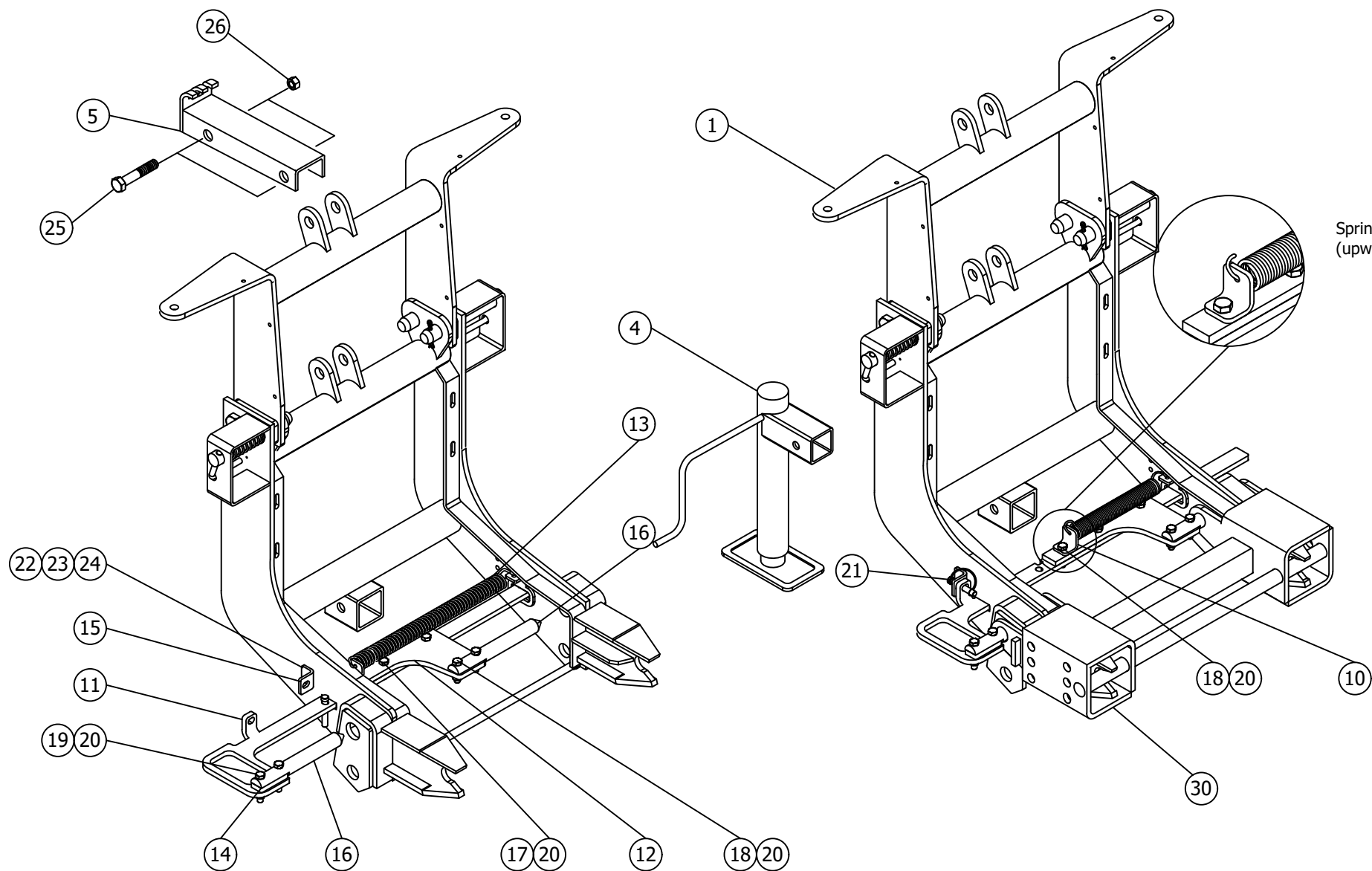
Arctic Equipment Manufacturing Corporation reserves the right under its product improvement policy to change construction or design details and furnish equipment when so altered without reference to illustrations or specifications used.

# QLIII-HI-TILTGA

## Lift Frame Mounting Kit

(The lift frame is used for medium duty trucks with forward tilting hoods, to access engine compartment without removing a plow)





QLIII-HI-TILTGA Mounting Kit			
Item	Part #	Description	Quantity
1	53341-HANDLE	Tilt lift frame, Galvanized c/w handle	1
2	53216-01	Double Lift Chain Kit	1

53216-01 Double Lift Chain Kit			
Item	Part #	Description	Quantity
3	50999-2	Blade Marker	2
4	52373-01-M	QLII Jack	1
5	52612-B-GA	Double lift channel	1
6	51830-N	5/8 x 2 1/2" Long Jack Pin	1
7	53373-M-BB	Lift frame Bolt bag	1
Parts found under 53341-HANDLE			
8	53339-D-GA	Lift Frame Top Assembly	1
9	53340-D-GA	Lift Frame Bottom Assembly	1
10	53179-M	Spring Bracket	1
11	53177-M	Handle	1
12	53178-M	Top Plate	1
13	53182-N	Spring	1
14	53180-M	Spacer	1
15	53174-M	Lock Bracket	1
16	53181-B	Pin	2
17	HH-00293-050	3/8-16x1.1/4 Hex Head Cap Screw	2
18	HH-00293-051	3/8-16x1.1/2 Hex Head Cap Screw	3
19	HH-00293-053	3/8-16x2 Hex Head Cap Screw	2
20	HH-00340-001	3/8-16 Nut (Nylon Insert)	7
21	53183-N	Hitch Pin	1
22	HH-00294-001	1/4-20 Hex Nut	2
23	HH-00457-006	1/4 Lockwasher	2
24	HH-00293-006	1/4-20x1 Hex Head Cap Screw	2
25	HH-00972-155	3/4" x 4" UNF Cap screw	2
26	HH-00973-007	3/4" Lock nut	2
27	53338-A	Pin Weldment	2
28	53325-A	Spreader Pin	2
29	HH-00020-164	Cotter pin	2
30	52363-C	Spreader Bar(23 1/8" wide)	1
31	52364-C	Spreader Bar(32 1/8" wide ) (not shown)	1

### Installation Instructions

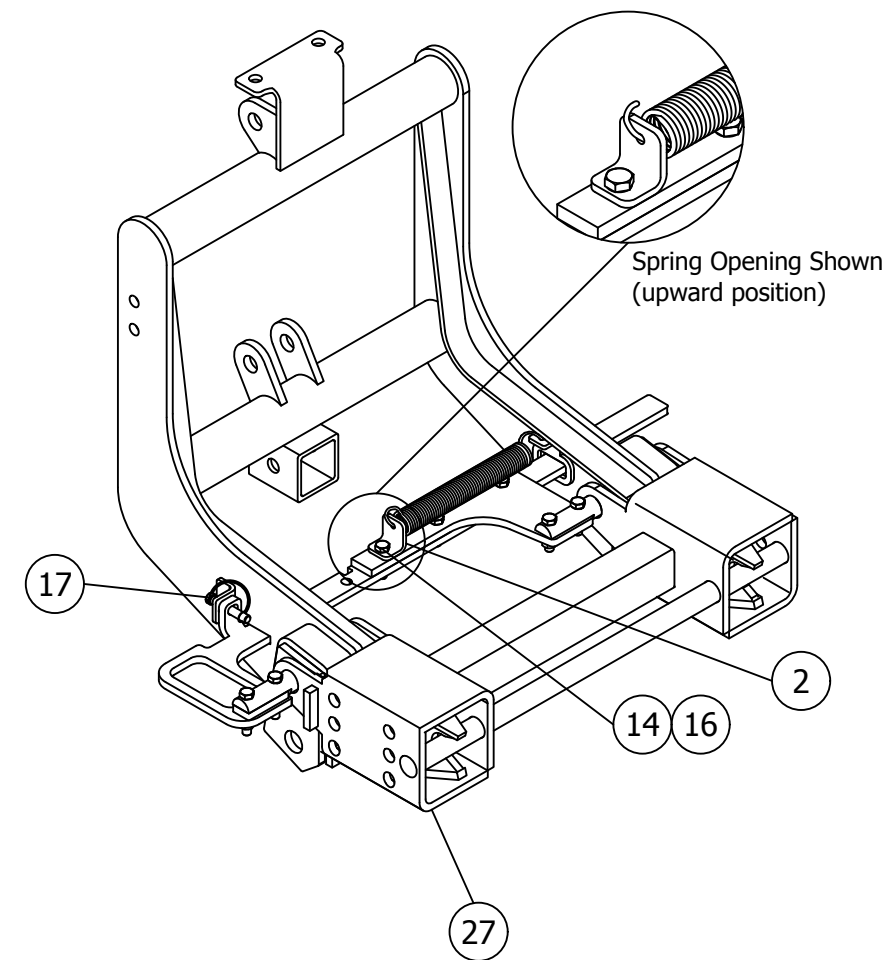
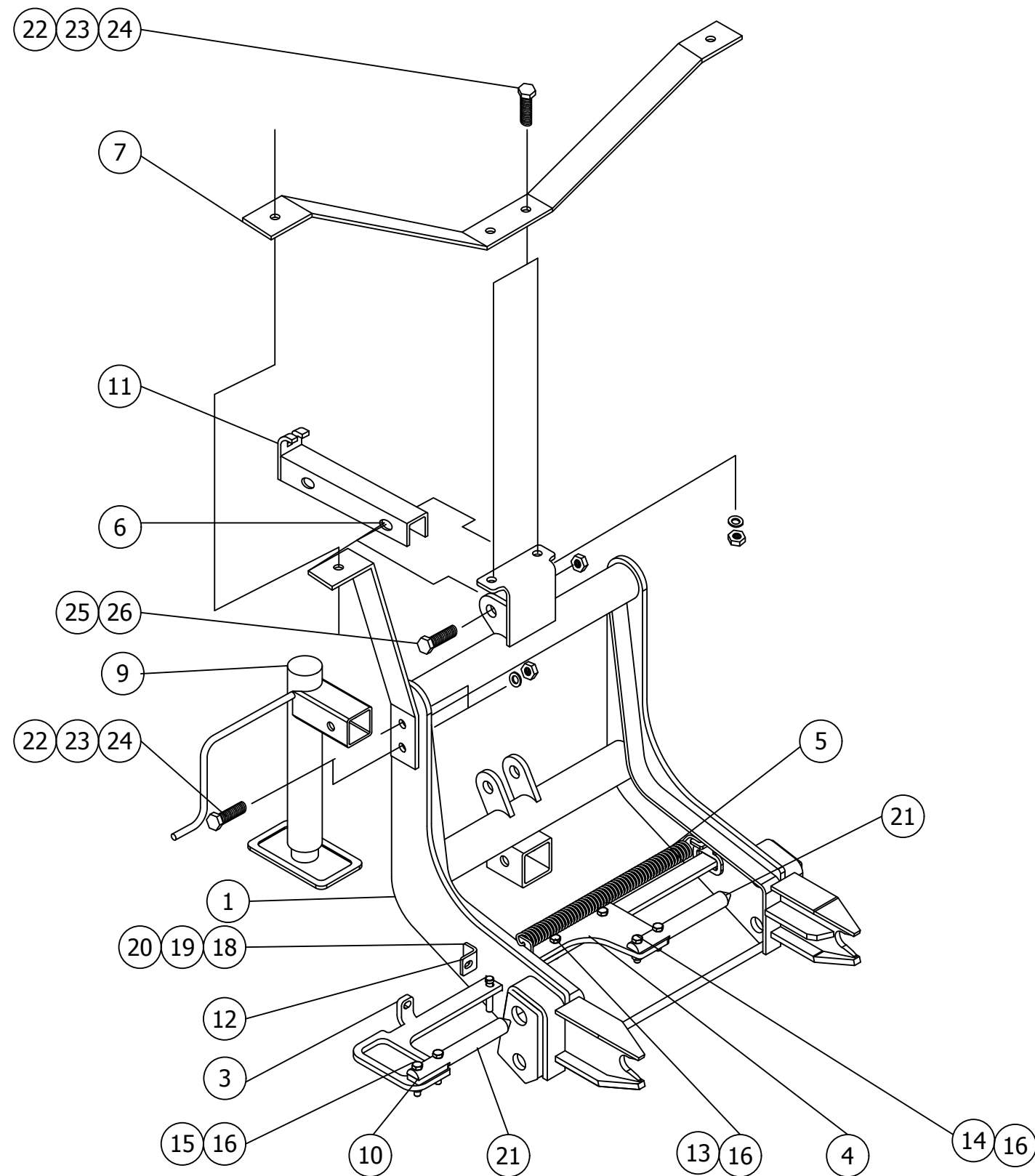
1. Install the pin (12) on the end of the handle (4) (install the spacer (9) between the pin (12) and the handle (4)) using 3/8" x 2" bolts and 3/8" nylon lock nuts (15)(16).
2. Insert partially assembled handle through the rectangular opening inside of the lift frame (1) and attach spring (6), top plate (5), spring bracket (3) and pin (12) as shown on the drawing.
3. Install the lock bracket (11) using 1/4" bolt (20), lock washer (19) and nut (18).
3. Do not tighten lock nuts (16) attached to the pins completely. Pins must float.



Arctic Equipment Manufacturing Corporation reserves the right under its product improvement policy to change construction or design details and furnish equipment when so altered without reference to illustrations or specifications used.

# QLIII-MKB-GA

## Lift Frame Mounting Kit



QLIII-MKB-GA			
Item	Part #	Description	Quantity
1	53170-D-GA	Lift Frame Galvanized	1
2	53179-M	Spring Bracket	1
3	53177-M	Handle	1
4	53178-M	Top Plate	1
5	53182-N	Spring	1
6	52208-B-GA	Light Brace Galvanized	2
7	52209-B-GA	Antler Galvanized	1
8	50999-B	Blade Marker	2
9	52373-M	Jack Ass'y	1
10	53180-M	Spacer	1
11	50069-C-GA	Lift Channel Galvanized	1
12	53174-M	Lock Bracket	1
13	HH-00293-050	3/8-16x1.1/4 Hex Head Cap Screw	2
14	HH-00293-051	3/8-16x1.1/2 Hex Head Cap Screw	3
15	HH-00293-053	3/8-16x2 Hex Head Cap Screw	2
16	HH-00340-001	3/8-16 Nut (Nylon Insert)	7
17	53183-N	Hitch Pin	1
18	HH-00294-001	1/4-20 Hex Nut	2
19	HH-00457-006	1/4 Lock washer	2
20	HH-00293-006	1/4-20x1 Hex Head Cap Screw	2
21	53181-B	Pin	2
22	HH-00972-090	1/2" x 1 1/2" Cap screw	6
23	HH-00457-001	1/2" Lock washer	6
24	HH-00460-002	1/2" Hex nut	6
25	HH-00972-153	3/4" x 3 1/2" UNF Capscrew	1
26	HH-00973-007	3/4" UNF Thin Collar Locknut	1
27*	52363-C	Spreader Bar(23 1/8" wide)	1
28*	52364-C	Spreader Bar(32 1/8" wide )( not shown in the drawing)	1

Items listed by \* are not in the kit (They can be found under the vehicle mounting kit).

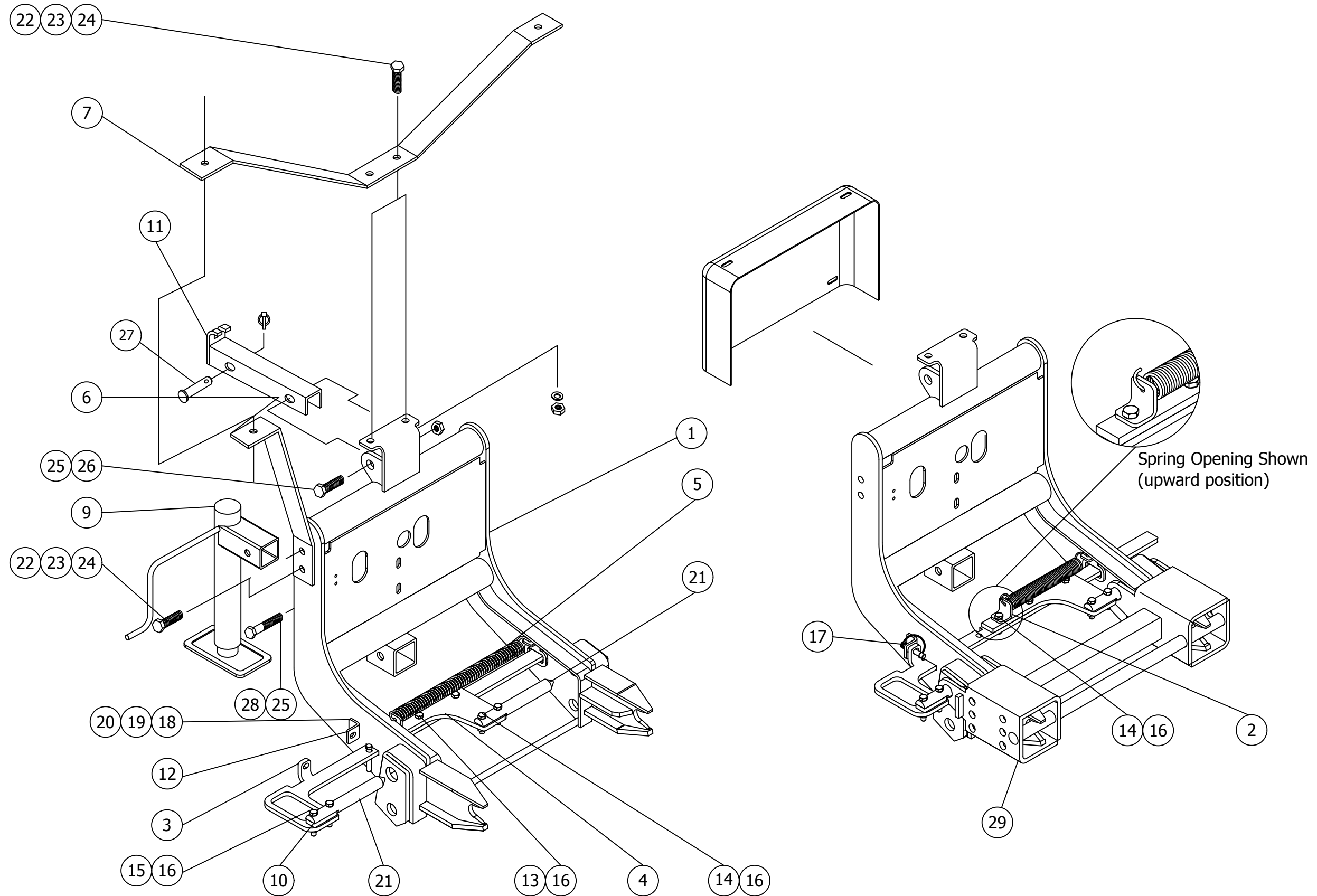
#### Installation:

1. Install the pin (21) on the end of the handle (3) (install the spacer (10) between the pin (21) and the handle (3)) using 3/8" x 2" bolts and 3/8"nylon lockouts (15) (16).
2. Insert partially assembled handle through the rectangular opening inside of the lift frame (1) and attach spring (5), top plate (4), spring bracket (2) and pin (21) as shown on the drawing.
3. Install the lock bracket (12) using 1/4" bolt (20), lock washer (19) and nut (18).
4. Do not tighten lock nuts (16) attached to the pins completely. Pins must float.

Arctic Equipment Manufacturing Corporation reserves the right under its product improvement policy to change construction or design details and furnish equipment when so altered without reference to illustrations or specifications used.

# QLIII-MKB-M3493

## Lift Frame Mounting Kit





QLIII-MKB-M3493			
Item	Part #	Description	Quantity
1	53424-D	Lift Frame	1
2	53179-M	Spring Bracket	1
3	53177-M	Handle	1
4	53178-M	Top Plate	1
5	53182-N	Spring	1
6	52208-B-GA	Light Brace Galvanized	2
7	52209-B-GA	Antler Galvanized	1
8	50999-B	Blade Marker	2
9	52373-M	Jack Ass'y	1
10	53180-M	Spacer	1
11	50069-C-GA	Lift Channel Galvanized	1
12	53174-M	Lock Bracket	1
13	HH-00293-050	3/8-16x1.1/4 Hex Head Cap Screw	2
14	HH-00293-051	3/8-16x1.1/2 Hex Head Cap Screw	3
15	HH-00293-053	3/8-16x2 Hex Head Cap Screw	2
16	HH-00340-001	3/8-16 Nut (Nylon Insert)	7
17	53183-N	Hitch Pin	1
18	HH-00294-001	1/4-20 Hex Nut	2
19	HH-00457-006	1/4 Lock washer	2
20	HH-00293-006	1/4-20x1 Hex Head Cap Screw	2
21	53181-B	Pin	2
22	HH-00972-090	1/2" x 1 1/2" Cap screw	6
23	HH-00457-001	1/2" Lock washer	6
24	HH-00460-002	1/2" Hex nut	6
25	HH-00972-153	3/4" x 3 1/2" UNF Capscrew	1
26	HH-00973-007	3/4" UNF Thin Collar Locknut	1
27	52757-M	Pin	1
28	HH-00972-156	3/4" x 4 1/2" UNF Capscrew	1
29*	52363-C	Spreader Bar(23 1/8" wide)	1
30*	52364-C	Spreader Bar(32 1/8" wide) (not shown in the drawing)	1

Items listed by \* are not in the kit (They can be found under the vehicle mounting kit).

### Installation

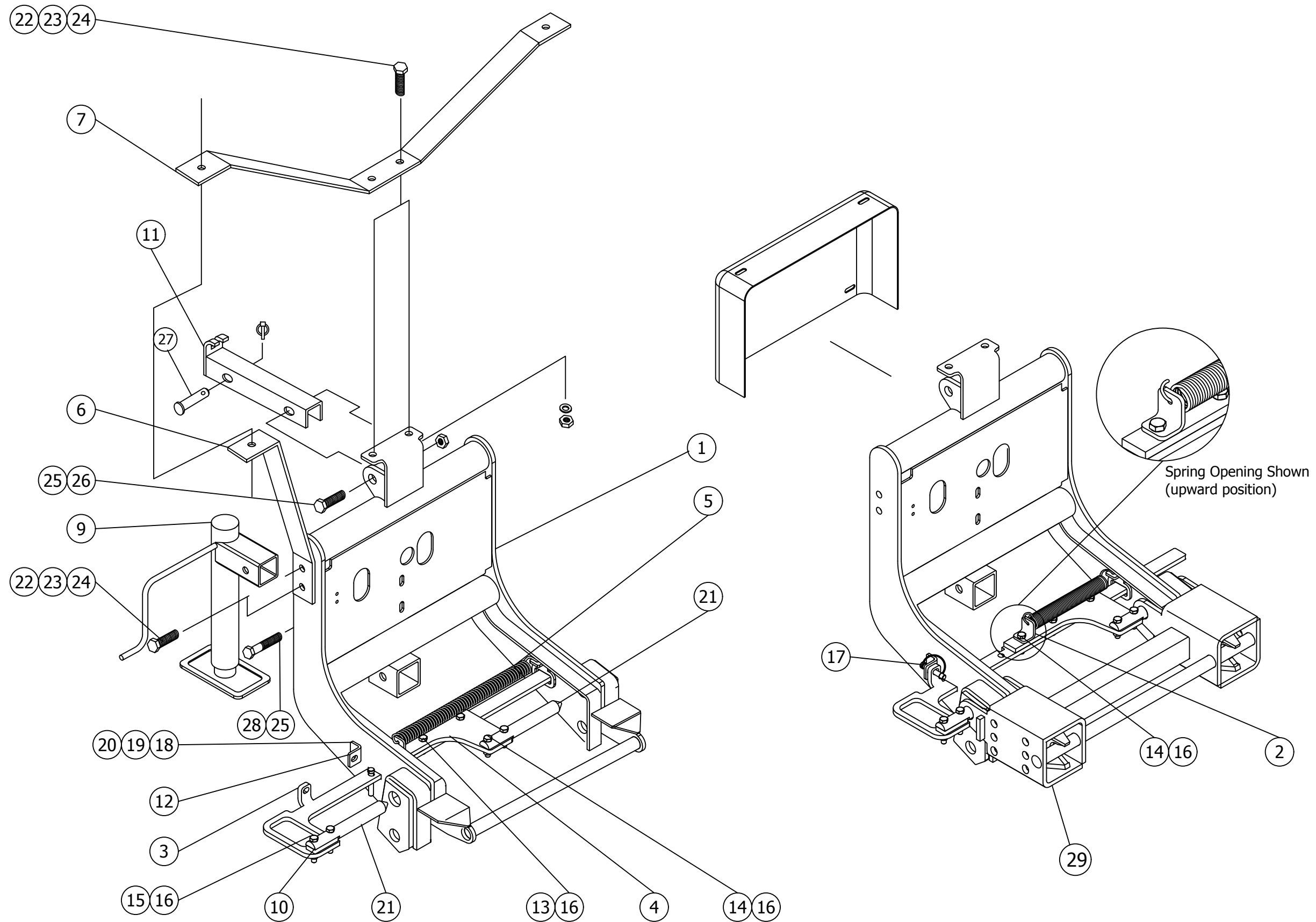
1. Install the pin (21) on the end of the handle (3) (install the spacer (10) between the pin (21) and the handle (3)) using 3/8" x 2" bolts and 3/8"nylon lockouts (15) (16).
2. Insert partially assembled handle through the rectangular opening inside of the lift frame (1) and attach spring (5), top plate (4), spring bracket (2) and pin (21) as shown on the drawing.
3. Install the lock bracket (12) using 1/4" bolt (20), lock washer (19) and nut (18).

4. Do not tighten lock nuts (16) attached to the pins completely. Pins must float.

Arctic Equipment Manufacturing Corporation reserves the right under its product improvement policy to change construction or design details and furnish equipment when so altered without reference to illustrations or specifications used.

# QLIV-MKB-M3493

## Lift Frame Mounting Kit



QLIV-MKB-M3493			
Item	Part #	Description	Quantity
1	53564-D	Lift Frame	1
2	53179-M	Spring Bracket	1
3	53177-M	Handle	1
4	53178-M	Top Plate	1
5	53182-N	Spring	1
6	52208-B	Light Brace	2
7	52209-B	Antler	1
8	50999-B	Blade Marker	2
9	52373-M	Jack Ass'y	1
10	53180-M	Spacer	1
11	50069-C-GA	Lift Channel Galvanized	1
12	53174-M	Lock Bracket	1
13	HH-00293-050	3/8-16x1.1/4 Hex Head Cap Screw	2
14	HH-00293-051	3/8-16x1.1/2 Hex Head Cap Screw	3
15	HH-00293-053	3/8-16x2 Hex Head Cap Screw	2
16	HH-00340-001	3/8-16 Nut (Nylon Insert)	7
17	53183-N	Hitch Pin	1
18	HH-00294-001	1/4-20 Hex Nut	2
19	HH-00457-006	1/4 Lock washer	2
20	HH-00293-006	1/4-20x1 Hex Head Cap Screw	2
21	53181-B	Pin	2
22*	HH-00972-090	1/2" x 1 1/2" Cap screw	6
23*	HH-00457-001	1/2" Lock washer	6
24*	HH-00460-002	1/2" Hex nut	6
25*	HH-00972-153	3/4" x 3 1/2" UNF Capscrew	1
26	HH-00973-007	3/4" UNF Thin Collar Locknut	1
27	52757-M	Pin	1
28	HH-00972-156	3/4" x 4 1/2" UNF Capscrew	1
29*	53551-C	Spreader Bar(23 1/8" wide)	1
30*	53507-C	Spreader Bar(32 1/8" wide) (not shown in the drawing)	1

Items listed by \* are not in the kit (They can be found under the vehicle mounting kit).

### Installation

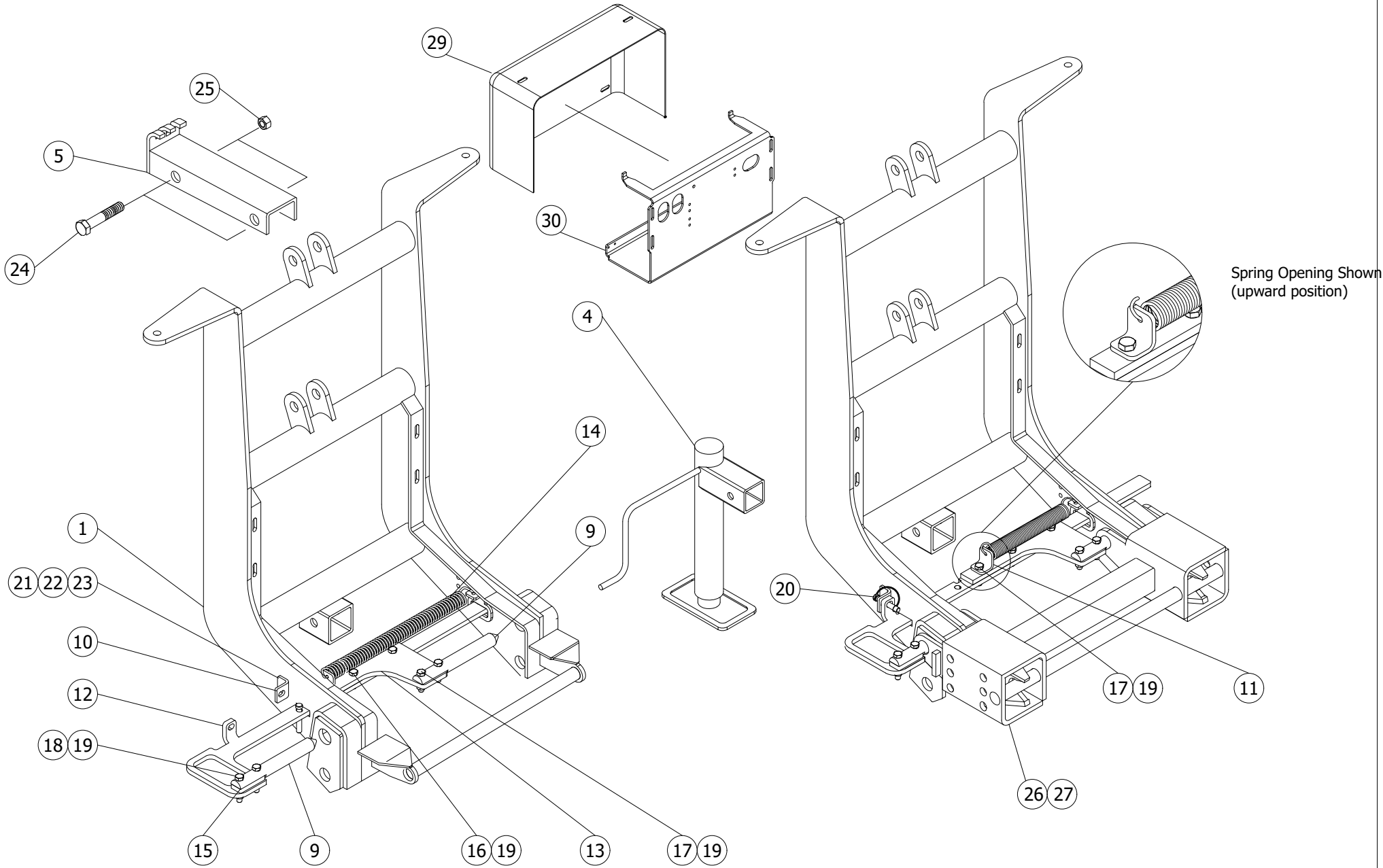
1. Install the pin (21) on the end of the handle (3) (install the spacer (10) between the pin (21) and the handle (3)) using 3/8" x 2" bolts and 3/8" nylon lockouts (15) (16).
2. Insert partially assembled handle through the rectangular opening inside of the lift frame (1) and attach spring (5), top plate (4), spring bracket (2) and pin (21) as shown on the drawing.

3. Install the lock bracket (12) using 1/4" bolt (20), lock washer (19) and nut (18).
4. Do not tighten lock nuts (16) attached to the pins completely. Pins must float.

Arctic Equipment Manufacturing Corporation reserves the right under its product improvement policy to change construction or design details and furnish equipment when so altered without reference to illustrations or specifications used.

# QLIV-HI-DLC-GA

## Lift Frame Mounting Kit





QLIV-HI-DLC-GA Lift Frame Mounting			
Item	Part #	Description	Quantity
1	53517-HANDLE	QLIV Lift frame Hi boy c/w Handle	1
2	53216-01	Double Lift Channel kit	1
53216-01 Double Lift Chain Kit			
Item	Part #	Description	Quantity
3	50999-B	Blade Marker	2
4	52373-01-M	QLII Jack	1
5	52612-B-GA	Lift Channel Double Chain	1
6	51830-N	5/8 x 2.1/2 Long Jack Pin	1
7	53373-M-BB	Lift frame bolt bag	1
Parts found on 53517-HANDLE			
8	53517-D	QLIV Lift frame Hi boy	1
9	53181-M	Pin	2
10	53174-M	Lock Bracket	1
11	53179-M	Spring Bracket	1
12	53177-M	Lock Handle	1
13	53178-M	Top Plate	1
14	53182-N	Lock Spring	1
15	53180-M	Lock Spacer	1
16	HH-00293-050	3/8-16x1.1/4 Hex Head Cap Screw	2
17	HH-00293-051	3/8-16x1.1/2 Hex Head Cap Screw	3
18	HH-00293-053	3/8-16x2 Hex Head Cap Screw	2
19	HH-00340-001	3/8-16 Nut (Nylon Insert)	7
20	53183-N	Hitch Pin	1
21	HH-00294-001	1/4-20 Hex Nut	2
22	HH-00457-006	1/4 Lock washer	2
23	HH-00293-006	1/4-20x1 Hex Head Cap Screw	2
24	HH-00972-155	3/4" x 4" UNF Cap screw	2
25	HH-00973-007	3/4" Lock nut	2
26*	53551-C	Spreader Bar(23 1/8" wide)	1
27*	53507-C	Spreader Bar(32 1/8" wide)( not shown in the drawing)	1
28	53217-M	QLIII/QLIV Conversion kit	-
29	52429-C	Hi boy pump cover – not a part of lift frame kit, Part of Pump kit	-
30	52870-C-GA	Pump Plate for Hi boy lift frame – M3500 & M3493 - not a part of lift frame kit, Part of Pump kit	-
	53529-C	Pump Plate for Hi boy lift frame – M3593-WING not a part of lift frame kit, Part of Pump kit	

Items listed by \* are not in the kit (They can be found under the vehicle mounting kit).

### Installation Instructions:

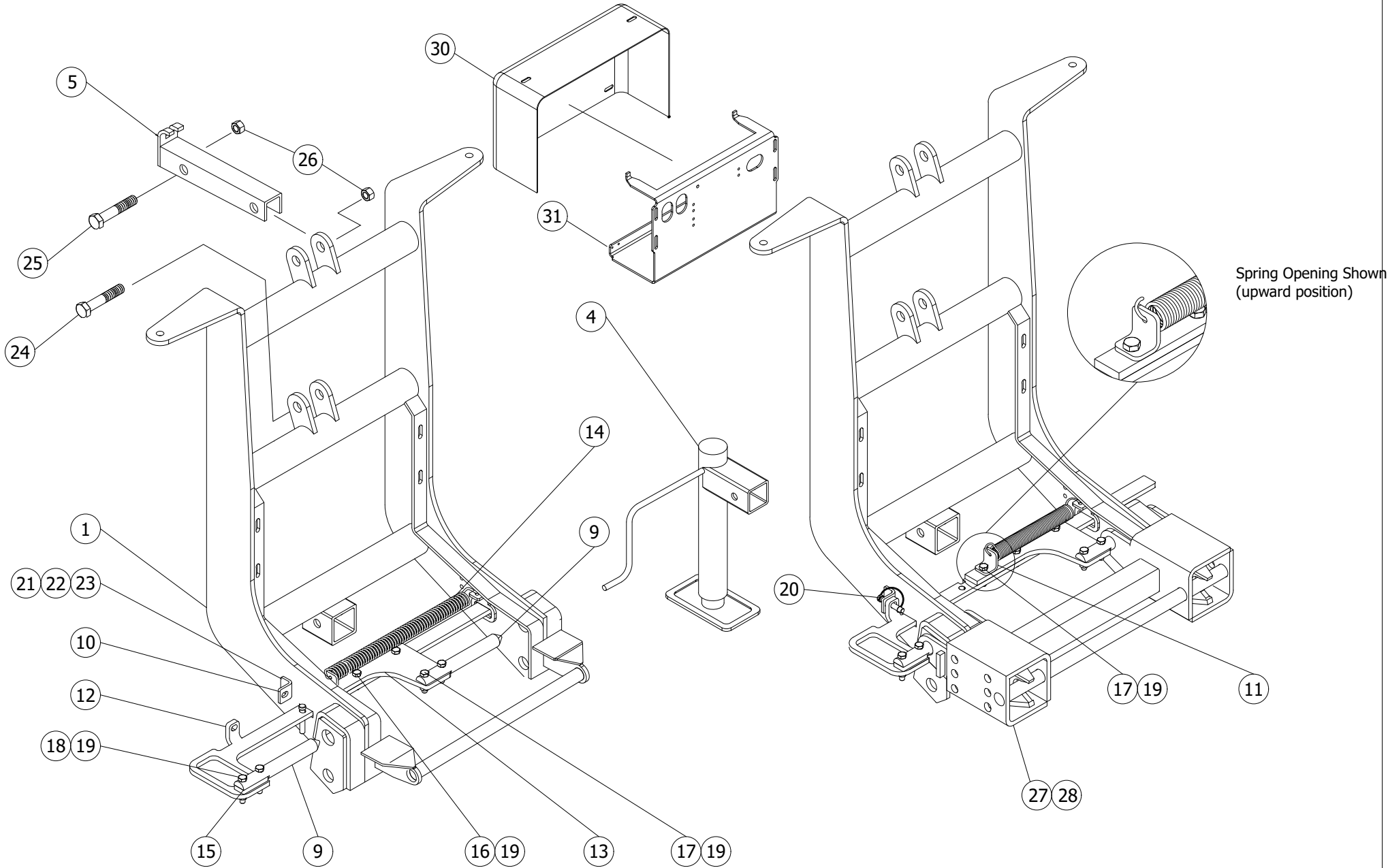
1. Install the pin (9) on the end of the handle (12) (install the spacer (15) between the pin (9) and the handle (12)) using 3/8" x 2" bolts and 3/8" nylon lock nuts (18) (19).
2. Insert partially assembled handle through the rectangular opening inside of the lift frame (8) and attach spring (14), top plate (13), spring bracket (11) and pin (9) as shown on the drawing.
3. Install the lock bracket (10) using 1/4" bolt (23), lock washer (22) and nut (21).
4. Do not tighten lock nuts (19) attached to the pins completely. Pins must float.



Arctic Equipment Manufacturing Corporation reserves the right under its product improvement policy to change construction or design details and furnish equipment when so altered without reference to illustrations or specifications used.

# QLIV-HI

## Lift Frame Mounting Kit



QLIV-HI-DLC-GA Lift Frame Mounting			
Item	Part #	Description	Quantity
1	53517-HANDLE	QLIV Lift frame Hi boy c/w Handle	1
2	53215-01	Single Lift Channel kit	1
53215-01 Single Lift Chain Kit			
Item	Part #	Description	Quantity
3	50999-B	Blade Marker	2
4	52373-01-M	QLII Jack	1
5	50069-C-GA	Lift Channel Single Chain	1
6	51830-N	5/8 x 2.1/2 Long Jack Pin	1
7	53373-M-BB	Lift frame bolt bag	1
Parts found on 53517-HANDLE			
8	53517-D	QLIV Lift frame Hi boy	1
9	53181-M	Pin	2
10	53174-M	Lock Bracket	1
11	53179-M	Spring Bracket	1
12	53177-M	Lock Handle	1
13	53178-M	Top Plate	1
14	53182-N	Lock Spring	1
15	53180-M	Lock Spacer	1
16	HH-00293-050	3/8-16x1.1/4 Hex Head Cap Screw	2
17	HH-00293-051	3/8-16x1.1/2 Hex Head Cap Screw	3
18	HH-00293-053	3/8-16x2 Hex Head Cap Screw	2
19	HH-00340-001	3/8-16 Nut (Nylon Insert)	7
20	53183-N	Hitch Pin	1
21	HH-00294-001	1/4-20 Hex Nut	2
22	HH-00457-006	1/4 Lock washer	2
23	HH-00293-006	1/4-20x1 Hex Head Cap Screw	2
24	HH-00972-153	3/4 x 3 1/2 HHCS	2
25	HH-00972-149	3/4 -16 x 2 1/2 HHCS	1
26	HH-00973-007	3/4 Thin Locknut	3
27*	53551-C	Spreader Bar(23 1/8" wide)	1
28*	53507-C	Spreader Bar(32 1/8" wide)( not shown in the drawing)	1
29	53217-M	QLIII/QLIV Conversion kit	-
30	52429-C	Hi boy pump cover – not a part of lift frame kit, Part of Pump kit	-
31	52870-C-GA	Pump Plate for Hi boy lift frame – M3500 & M3493 - not a part of lift frame kit, Part of Pump kit	-
	53529-C	Pump Plate for Hi boy lift frame – M3593-WING not a part of lift frame kit, Part of Pump kit	

Items listed by \* are not in the kit (They can be found under the vehicle mounting kit).

### Installation Instructions:

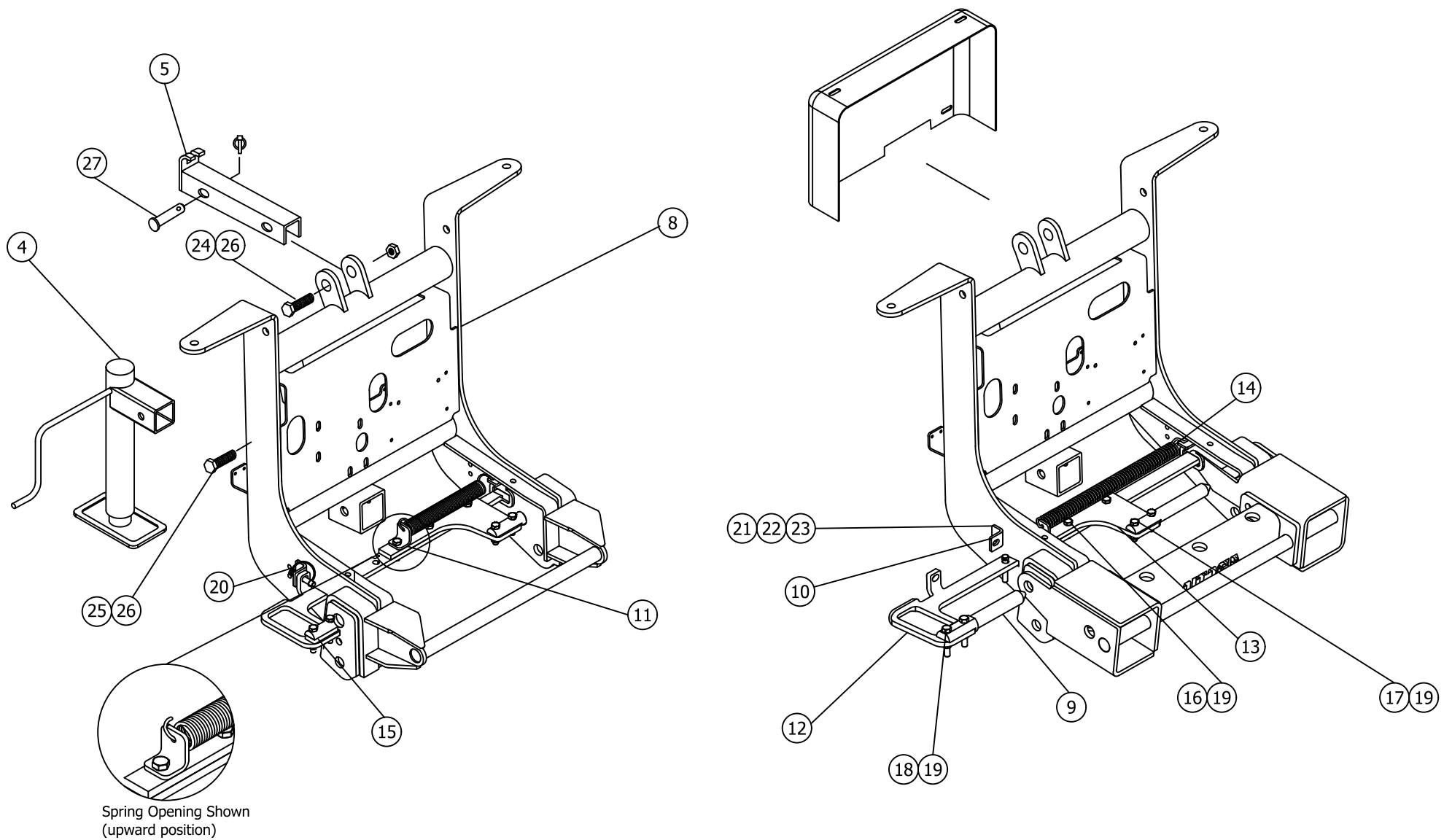
1. Install the pin (9) on the end of the handle (12) (install the spacer (15) between the pin (9) and the handle (12)) using 3/8" x 2" bolts and 3/8" nylon lock nuts (18) (19).
2. Insert partially assembled handle through the rectangular opening inside of the lift frame (8) and attach spring (14), top plate (13), spring bracket (11) and pin (9) as shown on the drawing.
3. Install the lock bracket (10) using 1/4" bolt (23), lock washer (22) and nut (21).
4. Do not tighten lock nuts (19) attached to the pins completely. Pins must float.



Arctic Equipment Manufacturing Corporation reserves the right under its product improvement policy to change construction or design details and furnish equipment when so altered without reference to illustrations or specifications used.

# QL - HOP

Lift Frame mounting kit





QL - HOP			
Item	Part #	Description	Quantity
1	53661-HANDLE	Homeowner Lift Frame c/w Handle	1
2	53704-M	QL-HOP Parts Box	1
53704-M Parts Box			
Item	Part#	Description	Quantity
3*	50999-B	Blade Marker	2
4	52373-01-M	QLII Jack	1
5	50069-C-GA	Single chain lift channel	1
6*	51830-N	5/8 x 2.1/2" Long Jack Pin`	1
7*	QL-HOP-BB	Lift frame bolt bag kit	1
Parts found under 53661-HANDLE			
8	53661-D	Homeowner Lift frame	1
9	53681-M	3/4" Pin for homeowner lift frame	2
10	53174-M	Lock Bracket	1
11	53179-M	Spring Bracket	1
12	53177-M	Lock Handle	1
13	53178-M	Top Plate	1
14	53182-N	Lock Spring	1
15	53180-M	Lock spacer	1
16	HH-00293-050	3/8-16x1.1/4 Hex Head Cap Screw	2
17	HH-00293-051	3/8-16x1.1/2 Hex Head Cap Screw	3
18	HH-00293-053	3/8-16x2 Hex Head Cap Screw	2
19	HH-00340-001	3/8-16 Nylon Inserts	7
20	53183-N	Hitch Pin	1
21	HH-00294-001	1/4-20 Hex Nut	2
22	HH-00457-006	1/4 Lock washer	2
23	HH-00293-006	1/4-20x1 Hex Head Cap Screw	2
24	HH-00972-153	3/4" x 3.1/2" HHCS (part of QL-HOP-BB)	2
25	HH-00972-156	3/4" x 4.1/2" HHCS (part of QL-HOP-BB)	1
26	HH-00973-007	3/4" Thin Collar Lock nut (part of QL-HOP-BB)	3
27	52757-M	Pin Assembly (part of QL-HOP-BB)	1

Items marked with \* are not shown on the drawing

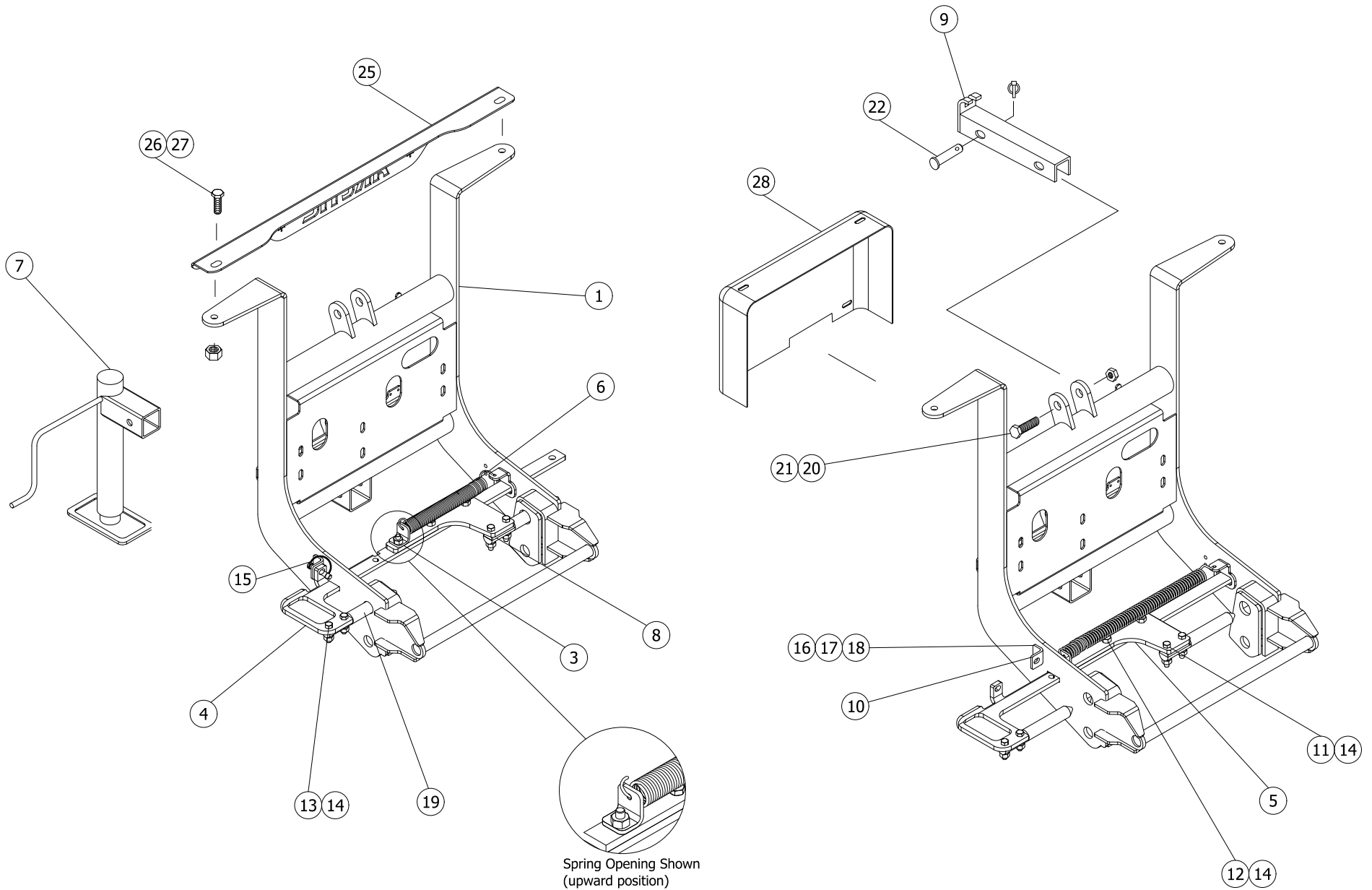
### Installation Instructions

1. Install the pin (19) on the end of the handle (4) (install the spacer (8) between the pin (19) and the handle (4)) using 3/8" x 2" bolts and 3/8" nylon lockouts (13) (14).
2. Insert partially assembled handle through the rectangular opening inside of the lift frame (1) and attach spring (6), top plate (5), spring bracket (3) and pin (19) as shown on the drawing.
3. Install the lock bracket (10) using 1/4" bolt (18), lock washer (17) and nut (16).
4. Do not tighten lock nuts (14) attached to the pins completely. Pins must float

Arctic Equipment Manufacturing Corporation reserves the right under its product improvement policy to change construction or design details and furnish equipment when so altered without reference to illustrations or specifications used.

# Lift frame QL-SD2

Lift Frame mounting kit



Lift frame- SD2			
Item	Part #	Description	Quantity
1	53853-HANDLE	QLIV SD2 Lift Frame	1
2	53704-M	QL-HOP Parts Box	1

53704-M QL-SD2 Parts Box			
Item	Part#	Description	Quantity
3	53179-M	Lift frame Spring Bracket	1
4	53864-M	QLIV Lock Handle	1
5	53178-M	Top Plate QLIII Lock	1
6	53182-N	Lock Spring	1
7	52373-M	Jack Ass'y	1
8	53180-M	Lock Spacer	1
9	50069-C-GA	Lift Channel Galvanized	1
10	53174-M	Lock Bracket	1
11	HH-00293-050	3/8-16x1.1/4 Hex Head Cap Screw	2
12	HH-00293-051	3/8-16x1.1/2 Hex Head Cap Screw	3
13	HH-00293-053	3/8-16x2 Hex Head Cap Screw	2
14	HH-00340-001	3/8-16 Nut (Nylon Insert)	7
15	53183-N	Hitch Pin	1
16	HH-00294-001	1/4-20 Hex Nut	2
17	HH-00457-006	1/4 Lock washer	2
18	HH-00293-006	1/4-20x1 Hex Head Cap Screw	2
19	53181-B	Lift frame Pin	2
20	HH-00972-153	3/4" x 3 1/2" UNF Cap screw	1
21	HH-00973-007	3/4" UNF Thin Collar Locknut	1
22	52757-M	Pin Ass'y	1
23*	HH-00972-156	3/4" x 4 1/2" UNF Cap screw	1
24*	50999-B	Blade guides	2
25	53858-04-M	Arctic Logo Plate	1
26	HH-00971-135	1/2 -13 x 1 1/4" Carriage Bolt	2
27	HH-00340-003	1/2-13 UNC Nylon Insert Lock Nut	2
28	53865-C	Power Unit Cover	1

Items marked with \* are not shown on the drawing.

### Installation Instructions

1. Install the pin (19) on the end of the handle (4) (install the spacer (8) between the pin (19) and the handle (4)) using 3/8" x 2" bolts and 3/8"nylon lockouts (13) (14).

2. Insert partially assembled handle through the rectangular opening inside of the lift frame (1) and attach spring (6), top plate (5), spring bracket (3) and pin (19) as shown on the drawing.
3. Install the lock bracket (10) using 1/4" bolt (18), lock washer (17) and nut (16).
4. Do not tighten lock nuts (14) attached to the pins completely. Pins must float.
5. Install Arctic Logo Plate (25) on top of lift frame by using 1/2" x 1 1/4" bolt (26) and secure it with 1/2" Nylon Inserts lock nut (27).

Arctic Equipment Manufacturing Corporation reserves the right under its product improvement policy to change construction or design details and furnish equipment when so altered without reference to illustrations or specifications used.